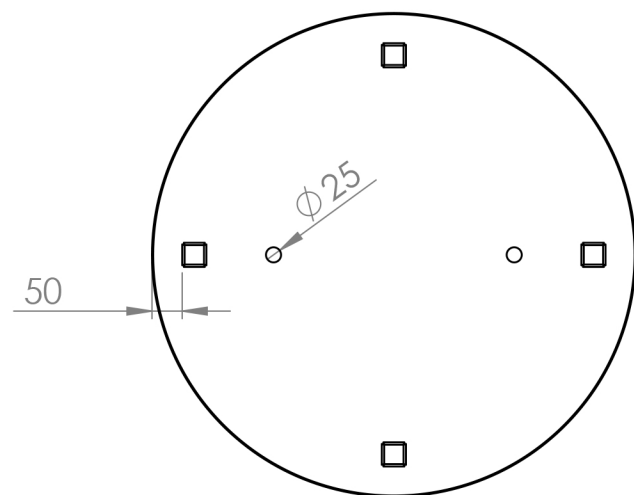



DETAIL A
SCALE 1 : 5



		DATE		TITLE:	
DRAWN	Joris Koppens	7-10-2019		2mm Corten	
REVISION				Drawing.	
				CT6.2 800x600	A3
Color:	---	Mass (kg):	33.37	SCALE: 1:12.5	SHEET 1 OF 7