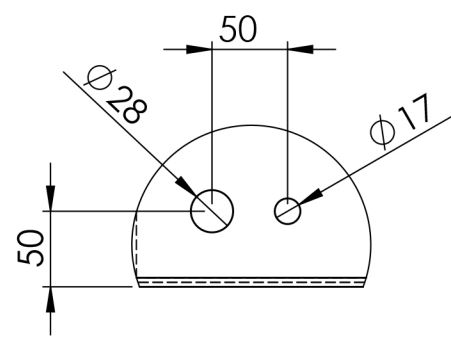
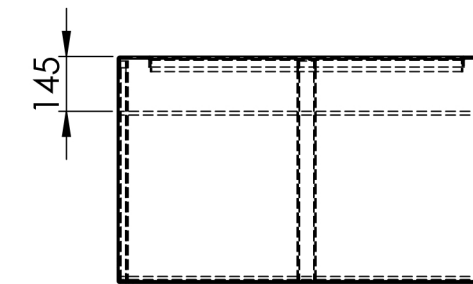
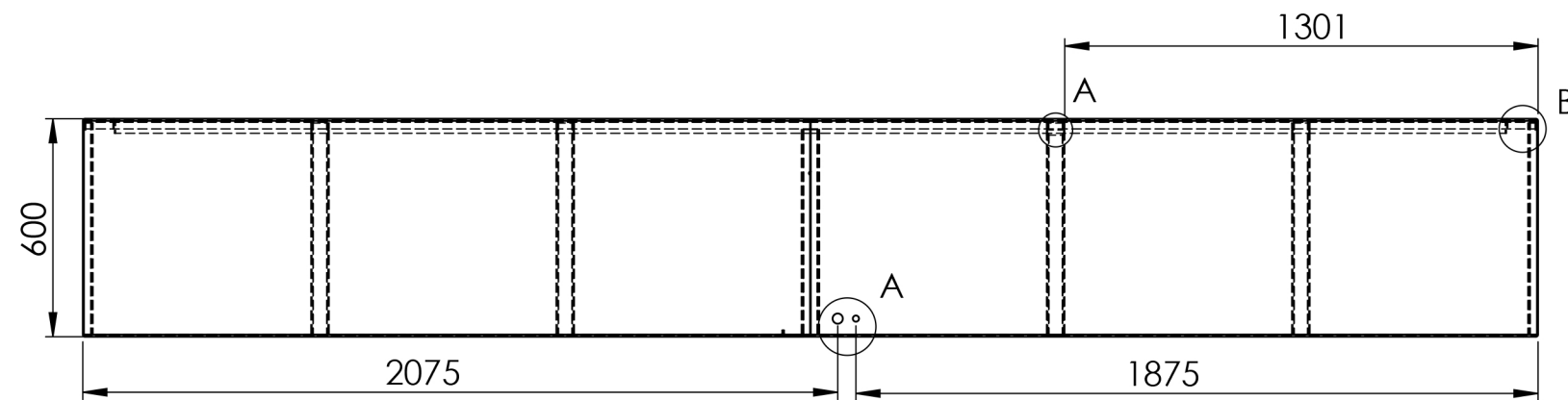
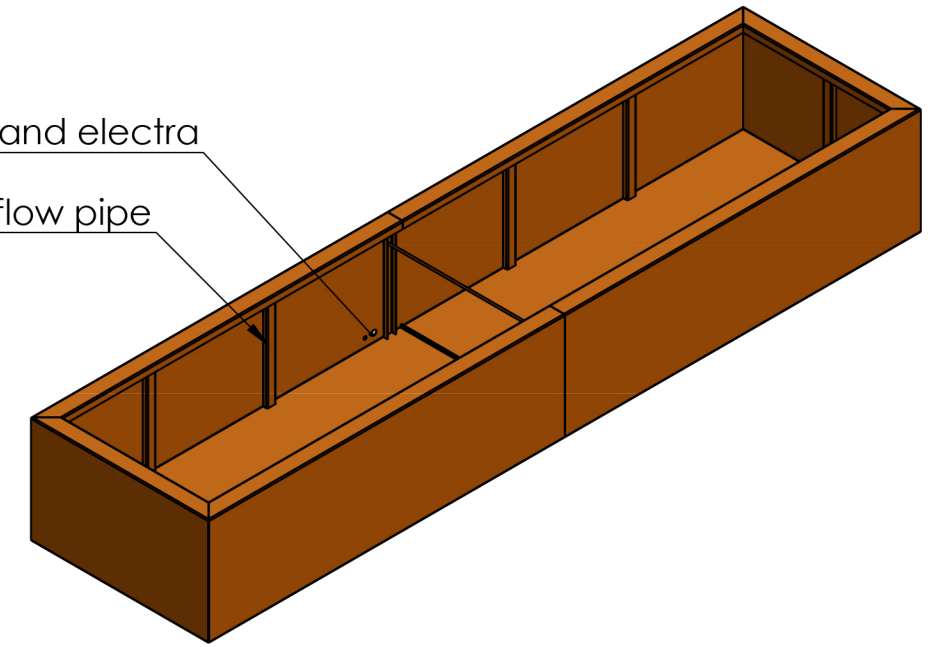
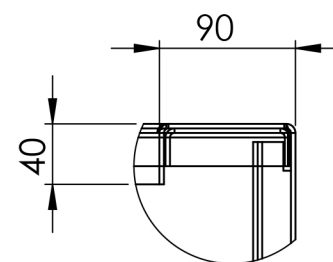


Pump and electra

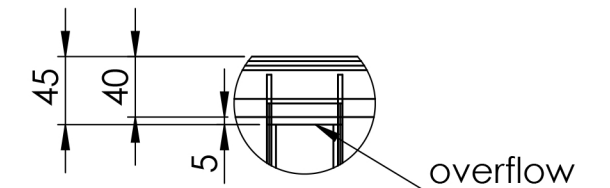
Overflow pipe



DETAIL A
SCALE 1 : 5



DETAIL B
SCALE 1 : 5



DETAIL A
SCALE 1 : 5

**Overflow pipe and holes for pump and electra placement on request!
Approval drawings will be made and send accordingly.**

DRAWN	Luuk van den Heuvel	DATE	2-2-2020		TITLE:	3mm Corten	
REVISION					Drawing.	VC3_SLDDRW	A3
Color:	-	Mass (kg):	310.59	SCALE:1:20	SHEET 1 OF 17		