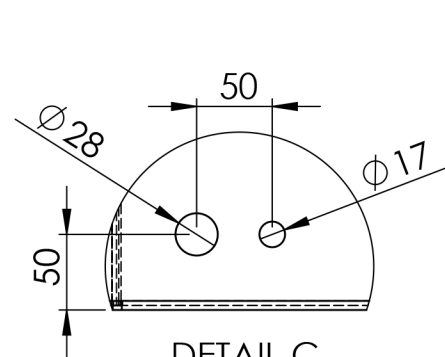
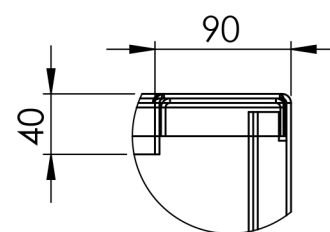


DETAIL A
SCALE 1 : 5



DETAIL C
SCALE 1 : 5



DETAIL B
SCALE 1 : 5

**Overflow pipe and holes for pump and electra placement on request!
Approval drawings will be made and send accordingly.**

DRAWN	Luuk van den Heuvel	DATE	2-2-2020		TITLE:	3mm Corten	
REVISION					Drawing.	VC8.1_SLDDRW	A3
Color:	-	Mass (kg):	194.77	SCALE:1:20	SHEET 1 OF 13		